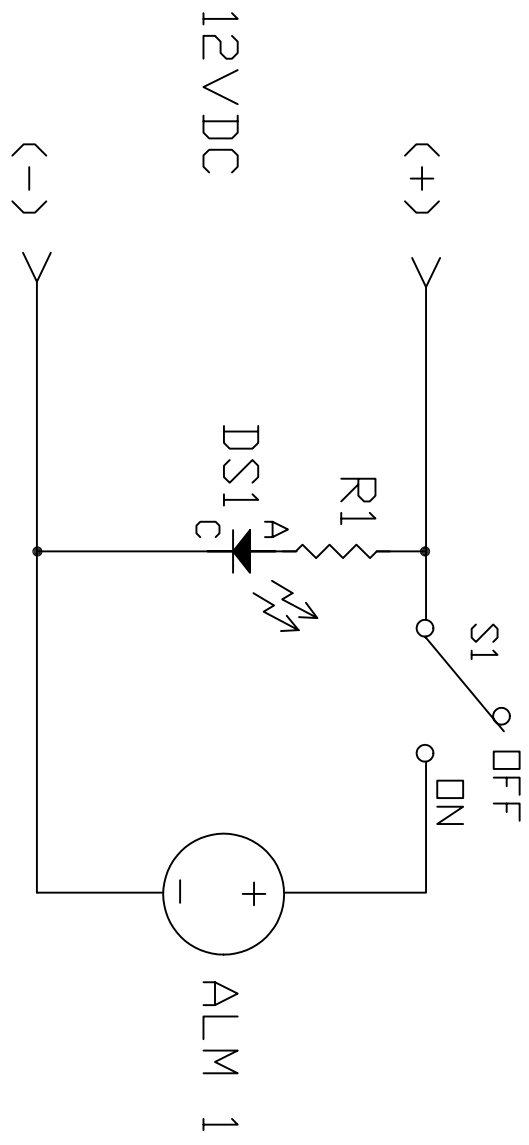
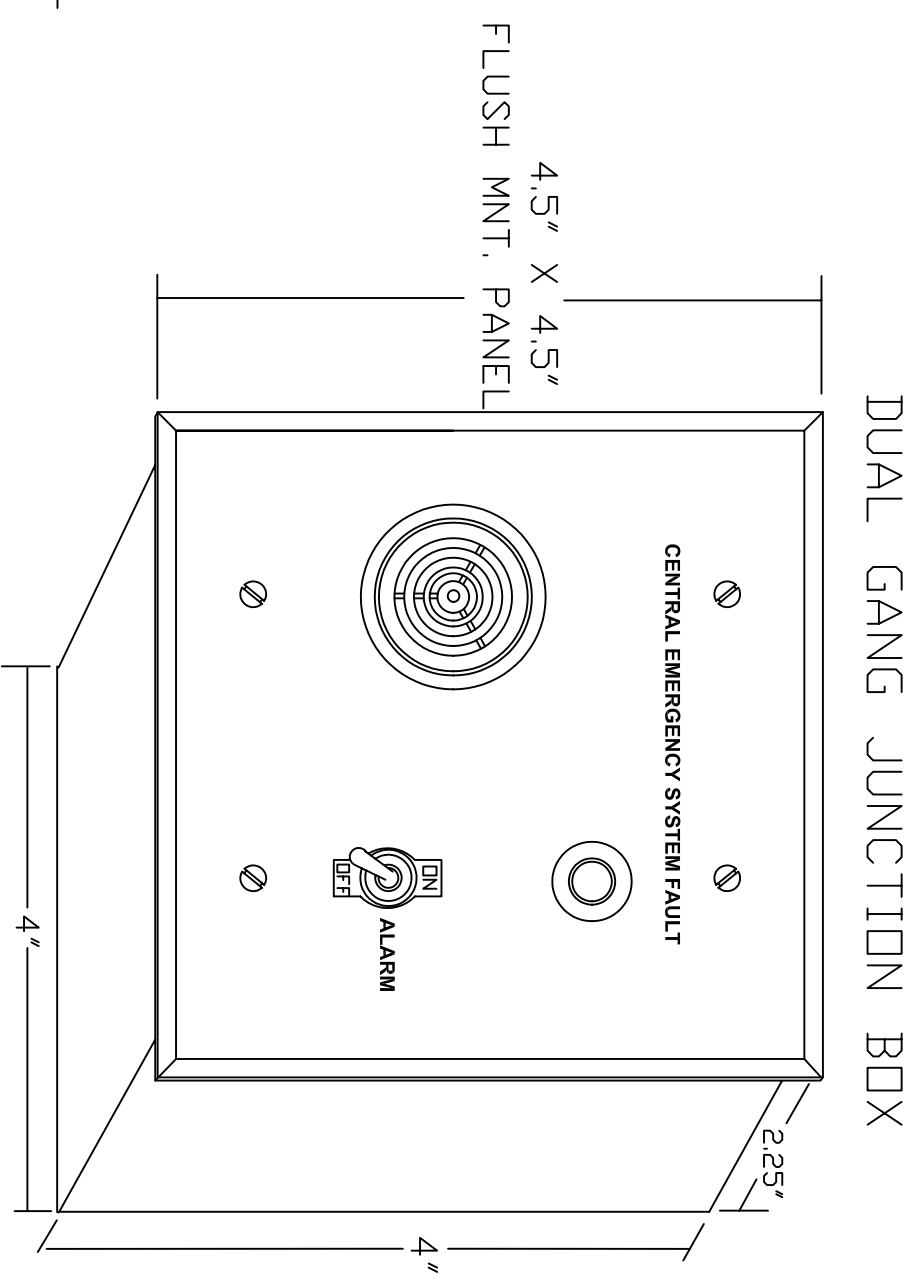


ALARM  
SILENCE  
SWITCH

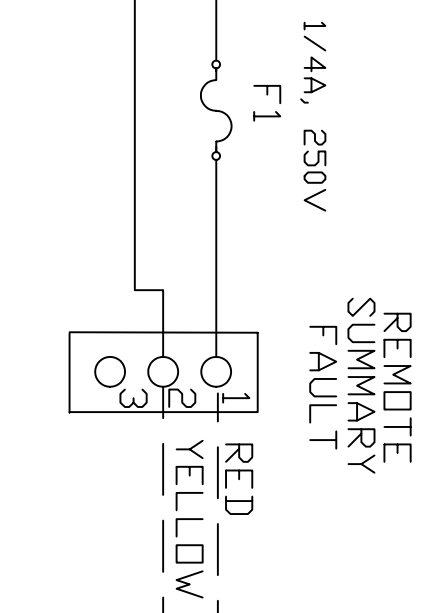


4"X4"X2.25" FLUSH MOUNT PANEL



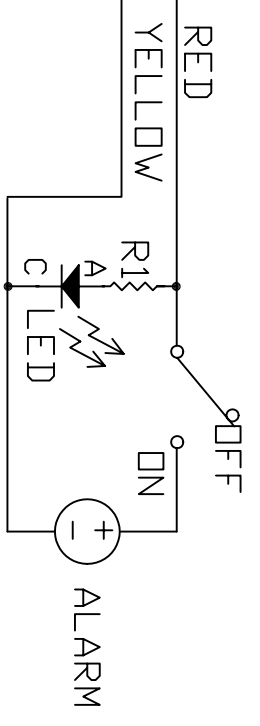
INTERNAL TO ELECTRONICS CABINET

IC-3	IS-C
PCB402938	PCB402941
A1-P5-12	A1-P5-4
A1-P4-1	A1-P10-1
A1-P4-2	A1-P10-2
-----	A1-P10-3
A1-P5-9	A1-P10-4



CUSTOMER PROVIDED  
WIRE 20-GAUGE 300V

ALARM  
SILENCE  
SWITCH



REMOTE

REV.	DESCRIPTION	DATE	BY
A	CHANGED POLARITY OF THE LED	06/02/03	LS
B	ADDED CHART FOR IC3 SYSTEMS.	08/08/03	LS

SCALE: NONE  
DATE: 05/06/03

DRAWN BY: LS  
APPROVED BY:

REMOTE SUMMARY ALARM PANEL

DRAWING NUMBER:  
203169B