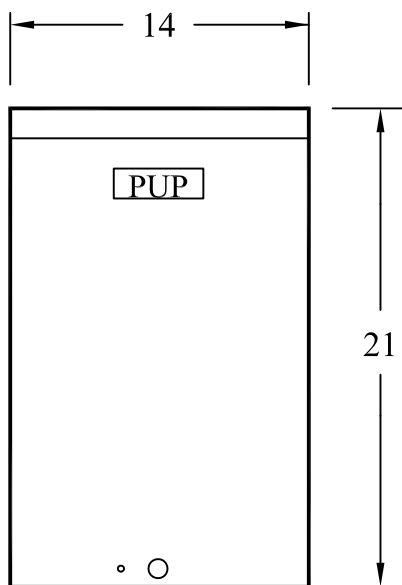
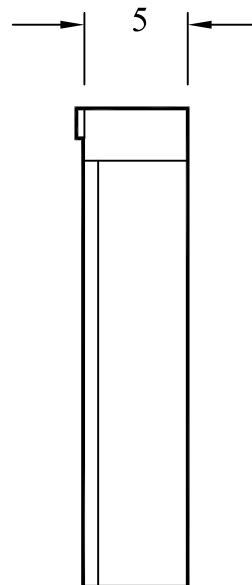


FRONT VIEW



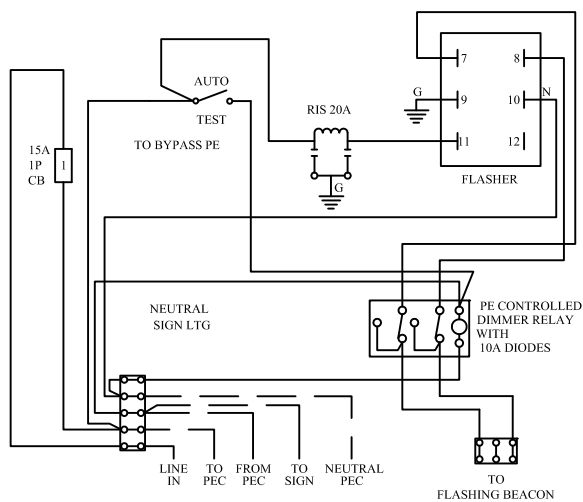
SIDE VIEW



WIRING DIAGRAM

CAT. NO. FBCA

120VAC 1PH 2WIRE 15AMPS



**FLASHING BEACON
CONTROL ASSEMBLY**

TYPICAL APPLICATIONS INCLUDE
BEACON, SIGN LIGHTING
CONTROL AND REMOTE
PHOTOELECTRIC CELL CONTROL

STANDARD FEATURES

- 15A 1P CB 10K
- DIMMER RELAY W/ 10A DIODES
- FLASHER DUAL CKT.
- RIS-RADIO INTERFERENCE SUPPRESSOR
- BYPASS TESTSWITCH

CAL TRANS STANDARD

SPECIFICATIONS

- * NEMA 3R CONSTRUCTION
- * POLYESTER POWDER-COATED FINISH
EXCEEDS ASTM B-117 SPECIFICATIONS
- * FABRICATED FROM CORROSION-RESISTANT
ZINC COATED STEEL

- * ASA 61 GRAY COLOR
- * ALL FACTORY WIRING 600 VOLT RATED COPPER
- * ALL COMPONENTS UL LISTED
- * ALL EXTERIOR DOORS AND COVERS PADLOCKABLE