

HVF 5-15^{RU}

HVF 5-15kV Vacuum Circuit Breakers



MYERS
Power Products, Inc.

Three Pole Drawout Units For Use In 5-15kV Switchgear

Myers Power Products HVF series vacuum circuit breakers are offered in 1200A-4000A (fan cooled) continuous current ratings. These breakers are designed and manufactured with advanced vacuum technology. They have been tested according to the latest version of ANSI standards in ISO 9001 facilities, and are continuously improved to meet the evolving demands of the market. Myers HVF breakers are backed by nearly 40 years of switchgear manufacturing experience and have a long record of reliable performance for hundreds of utility, industrial, and transit customers.

High Reliability, Long Life, Low Maintenance

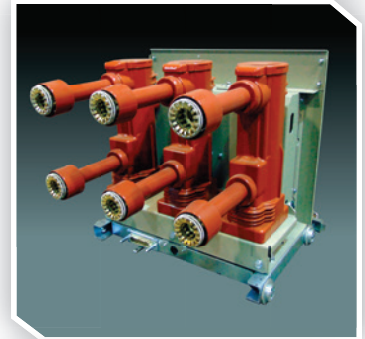
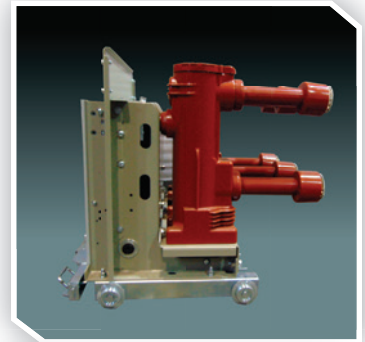
- Robust design and rugged components increase durability and reduce maintenance
- 10 year lubrication interval
- 3 year routine inspection
- Service required only on parts subject to normal wear and aging

Circuit Breaker Features

- Self-aligning, self-coupling secondary disconnects ensure positive connection of relay circuits to circuit breaker trip coil
- Indicator shows breaker position when door is closed
- Three cycle speed (standard)
- Vacuum interrupters and enclosure within insulated frame prevent exposure to dust and elements and eliminate need for routine maintenance

5-15kV Switchgear Features

- Closed door racking available
- Remote trip/close available
- Electric remote racking device available
- Manual or electric ground and test device options



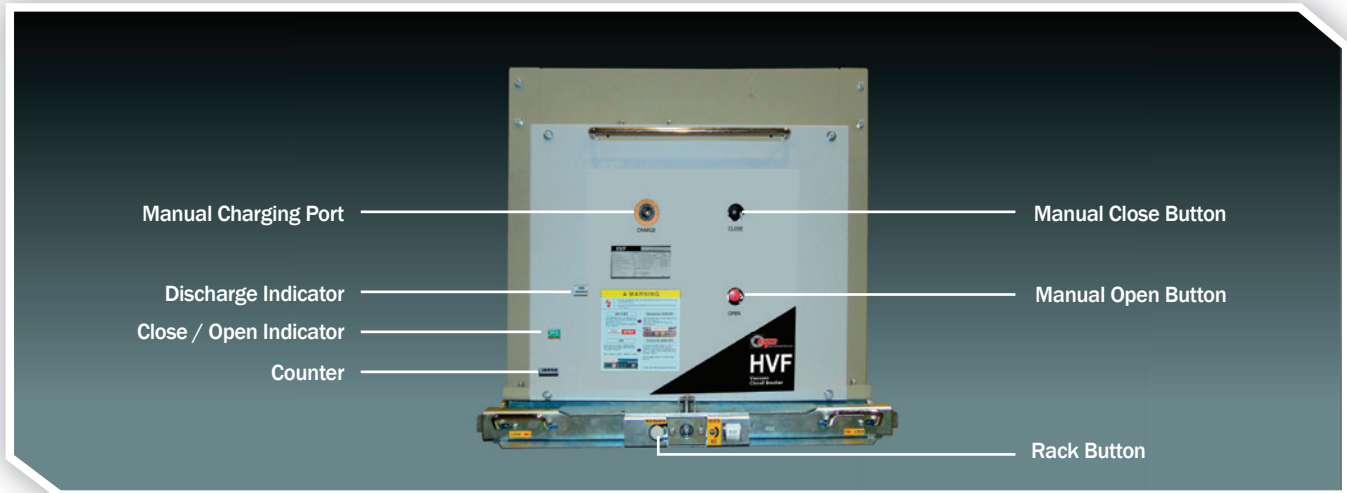
Additional Product Information

All circuit breaker ratings are based on K = 1.0

Type No.: _____
Application Standard: _____
Capacitor Switching Ratings: _____
Operating Duty: _____
Closing Operation: Operation System: _____
Control Voltage: _____
Closing & Tripping - Control Voltage: _____

HVF
ANSI C37.06 / ANSI C37.09
Contact Factory
0-0.3 sec C0 - 15 sec - C0
Motor Spring Stored Energy
DC: 48, 125, 250; AC: 120, 240
DC: 48, 125, 250; AC: 120, 240

Typical Breaker Elements



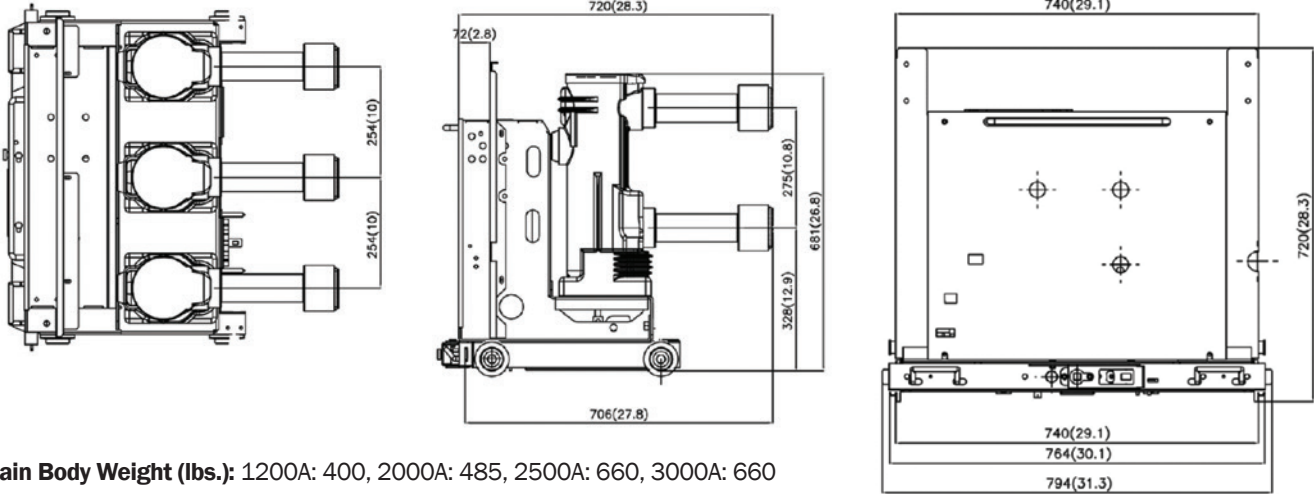
HVF 5-15kV Ratings

Voltage		Rated Continuous Current	Dielectric Ratings		Interrupting Ratings					Mechanical Endurance	Catalog Number
Nominal Voltage	Voltage Range Factor		Power Frequency	Impulse 1.2X50 μ s	System Interrupting	Close and Latch	Short Time	Short Time Duration	Interrupting Time	No Load Mechanical operations	
kV rms	(k) Factor	Amps rms	kV rms	kV Peak	kA rms	kA Peak	kA rms	Sec	Cycles		
4.76	1	1200	19	60	25	65	25	3	3	10 000	HVFM-144-2
	1	2000	19	60	25	65	25	3	3	10 000	HVFM-144-4
	1	1200	19	60	31.5	82	31.5	3	3	10 000	HVFM-145-2
	1	2000	19	60	31.5	82	31.5	3	3	10 000	HVFM-145-4
	1	3000	19	60	31.5	82	31.5	3	3	10 000	HVFM-145-7
	1	1200	19	60	40	104	40	3	3	5 000	HVFM-146-2
	1	2000	19	60	40	104	40	3	3	5 000	HVFM-146-4
	1	3000	19	60	40	104	40	3	3	5 000	HVFM-146-7
	1	1200	19	60	50	130	50	3	3	5 000	HVFM-147-2
	1	2000	19	60	50	130	50	3	3	5 000	HVFM-147-4
	1	3000	19	60	50	130	50	3	3	5 000	HVFM-147-7
	1	4000	19	60	50	130	50	3	3	5 000	HVFM-147-8
8.25	1	1200	36	95	25	65	25	3	3	5 000	HVFM-244-2
	1	2000	36	95	25	65	25	3	3	5 000	HVFM-244-4
	1	1200	36	95	31.5	82	31.5	3	3	5 000	HVFM-245-2
	1	2000	36	95	31.5	82	31.5	3	3	5 000	HVFM-245-4
	1	3000	36	95	31.5	82	31.5	3	3	5 000	HVFM-245-7
	1	1200	36	95	40	104	40	3	3	5 000	HVFM-246-2
	1	2000	36	95	40	104	40	3	3	5 000	HVFM-246-4
	1	3000	36	95	40	104	40	3	3	5 000	HVFM-246-7
15	1	1200	36	95	25	65	25	3	3	10 000	HVFM-344-2
	1	2000	36	95	25	65	25	3	3	10 000	HVFM-344-4
	1	1200	36	95	31.5	82	31.5	3	3	10 000	HVFM-345-2
	1	2000	36	95	31.5	82	31.5	3	3	10 000	HVFM-345-4
	1	3000	36	95	31.5	82	31.5	3	3	10 000	HVFM-345-7
	1	1200	36	95	40	104	40	3	3	5 000	HVFM-346-2
	1	2000	36	95	40	104	40	3	3	5 000	HVFM-346-4
	1	3000	36	95	40	104	40	3	3	5 000	HVFM-346-7

Current Consumption

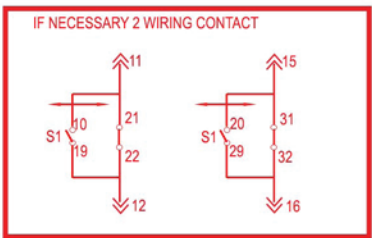
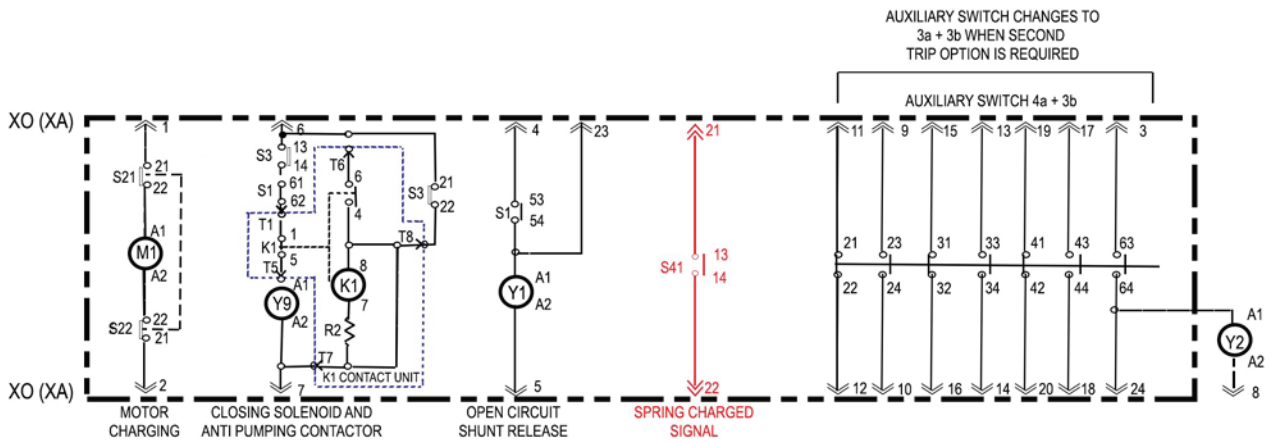
Rated Voltage (V)	Current Consumption (A)		
	Motor	Closing Solenoid	Open Solenoid
48 DC	22.0	3.0	7.0
125 DC	8.0	1.5	3.0
250 DC	4.0	1.0	1.6
120 AC	9.0	1.8	3.0
240 AC	5.0	1.0	1.8

HVF Vacuum Circuit Breaker Outline Drawing



Main Body Weight (lbs.): 1200A: 400, 2000A: 485, 2500A: 660, 3000A: 660

Typical Circuit Diagram



23 PINS USED
PIN 8 RESERVED FOR SECOND TRIP COIL

LEGEND			
XO	PLUG / SOCKET	S1	AUXILIARY SWITCH
K1	ANTI-PUMPING RELAY	S3	LIMIT SWITCH
M1	MOTOR	S22	LIMIT SWITCH
Y1	TRIPING SOLENOID	S21	LIMIT SWITCH
Y9	CLOSING SOLENOID	S41	SPRING CHARGED SIGNAL
R2	RESISTOR		



www.myerspowerproducts.com | (866) MY-MYERS

Specifications are subject to change without notice.

